

RT70 Laos X-Series Part List (4WD CREW)

FIG	KEY	NAME	Service P/NO	L/R	Qty	M/T	A/T	Remark
430	003	WHEEL; STRG	8-97423-895-0		1	●	●	
430	054	CLIP; HARNESS	8-98165-703-0		1	●	●	
430	083	SCREW; LWR COVER TO WHEEL	0-71240-410-0		2	●	●	
430	090	COVER ASM; STRG WHEEL,LWR	8-97416-856-1		1	●	●	
430	100	HARNESS; STRG WHEEL	8-98108-695-0		1	●	●	
430	102	SWITCH ASM; AUDIO CONT,STRG WHEEL	8-98108-690-0		1	●	●	
430	103	BEZEL; COVER,SWITCH HOLE	8-97416-857-1		1	●	●	
430	104	SCREW; SWITCH AND BEZEL	0-71240-410-0		4	●	●	
480	006	CAP; WHEEL	8-98214-687-0		4	●	●	
480	022	WHEEL; DISC,AL	8-98218-158-0		4	●	●	
603	001	GRILLE; RAD	8-98196-514-1		1	●	●	PRIMER
603	003	CLIP; GRILLE	8-98211-687-0		3	●	●	
603	009	SCREW; RAD GRILLE	8-98193-872-0		12	●	●	
603	178	GRILLE; INNER,RAD	8-98193-871-0		1	●	●	
620	102	STEP; BODY SIDE	8-97423-995-4	L	1	●	●	
620	102	STEP; BODY SIDE	8-97423-996-4	R	1	●	●	
635	006	TRIM; DOOR,UPR	8-97425-716-1	L	1	●	●	
635	051	WEATHERSTRIP; FRONT DOOR	8-98109-545-3	L	1	●	●	
635	083	CLIP; DOOR TRIM	8-98160-729-0	L	8	●	●	
635	083	CLIP; DOOR TRIM	8-98166-326-0	L	1	●	●	
635	231	COVER; HOLDER,BOLT	8-97416-610-0	L	1	●	●	
635	006	TRIM; DOOR,UPR	8-97425-717-1	R	1	●	●	
635	051	WEATHERSTRIP; FRONT DOOR	8-98109-544-3	R	1	●	●	
635	083	CLIP; DOOR TRIM	8-98160-729-0	R	8	●	●	
635	083	CLIP; DOOR TRIM	8-98166-326-0	R	1	●	●	
635	231	COVER; HOLDER,BOLT	8-97416-610-0	R	1	●	●	
643	039	COVER; TRIM,CENTER PILLAR	8-97423-935-2	L	1	●	●	
643	052	COVER; TRIM,FRT PILLAR	8-97423-945-2	L	1	●	●	
643	078	CLIP; TRIM PAD,SIDE PANEL	8-97351-983-0	L	2	●	●	
643	039	COVER; TRIM,CENTER PILLAR	8-97423-936-2	R	1	●	●	
643	052	COVER; TRIM,FRT PILLAR	8-97423-925-2	R	1	●	●	
643	078	CLIP; TRIM PAD,SIDE PANEL	8-97351-983-0	R	2	●	●	
655	001	PAD; TRIM,RR DOOR	8-97423-976-4	L	1	●	●	
655	003	WEATHERSTRIP; RR DOOR	8-98109-547-2	L	1	●	●	
655	006	CLIP; DOOR PAD	8-98160-729-0	L	7	●	●	
655	094	COVER; HOLDER,BOLT	8-97416-610-0	L	1	●	●	
655	001	PAD; TRIM,RR DOOR	8-97423-975-4	R	1	●	●	
655	003	WEATHERSTRIP; RR DOOR	8-98109-546-2	R	1	●	●	
655	006	CLIP; DOOR PAD	8-98160-729-0	R	7	●	●	
655	094	COVER; HOLDER,BOLT	8-97416-610-0	R	1	●	●	
666	001	LINING; HD	8-97429-473-5		1	●	●	
675	176	RETAINER; CARPET	8-97416-667-0		2	●	●	
701	004	EMBLEM; RAD GRILLE	8-98214-587-0		1	●	●	
740	731	GRILLE; VENTILATOR	8-97423-920-4	R	1	●	●	
740	731	GRILLE; VENTILATOR	8-97423-921-4	L	1	●	●	
743	023	SUN VISOR	8-97429-207-4	R	1	●	●	
743	023	SUN VISOR	8-97429-209-2	L	1	●	●	
743	059	COVER; ASSIST GRIP	8-97423-934-0		2	●	●	
743	090	GRIP; ASSIST,ROOF	8-97423-931-3		1	●	●	(B)
743	090	GRIP; ASSIST,ROOF	8-97423-931-3		2	●	●	(A)
743	090	GRIP; ASSIST,ROOF	8-97423-932-1	R	1	●	●	(B)
743	090	GRIP; ASSIST,ROOF	8-97423-933-1	L	1	●	●	(B)
743	348	RETAINER; SUNSHADE	8-97423-949-0		2	●	●	
743	349	CLIP; RETAINER SUNSHADE	8-98039-903-0		2	●	●	
745	016	KNOB ASM	8-97423-947-0		1	●	●	
745	050	CLIP; CONSOLE	8-98192-891-0		2	●	●	
745	074	BULB; CONSOLE	8-94124-595-0		2	●	●	
745	217	CONSOLE; HEADER	8-97423-928-5		1	●	●	
745	237	LENS; HEADER CONSOLE	8-98192-893-0		1	●	●	(A)
745	237	LENS; HEADER CONSOLE	8-98192-894-0		1	●	●	(B)
745	249	COVER	8-97423-942-2		1	●	●	(A)
745	249	COVER	8-97423-944-1		1	●	●	(B)
745	372	HARNESS ASM; SWITCH,HEADER CONSOLE	8-98192-890-0		1	●	●	

RT70 Laos X-Series Part List (4WD CREW)

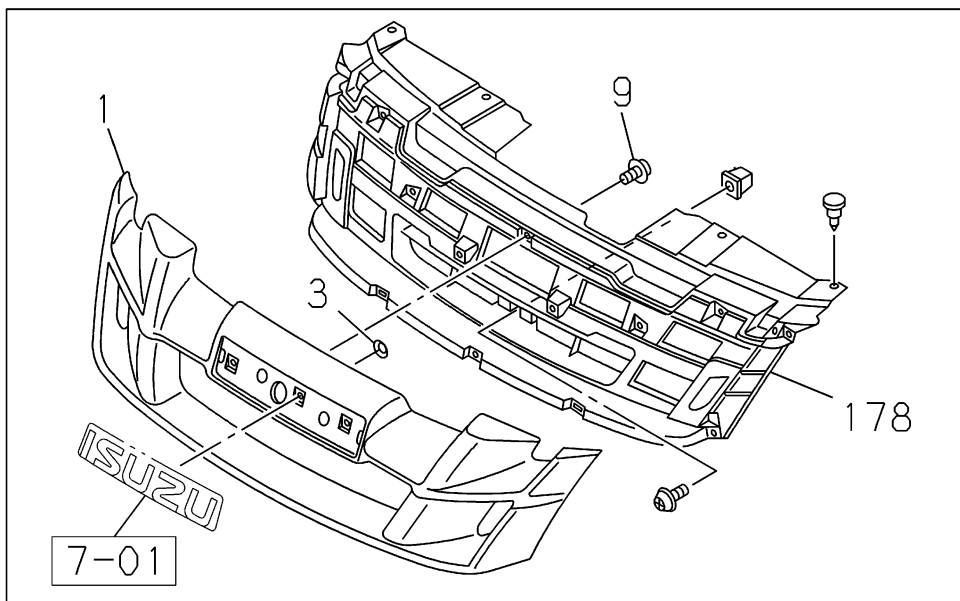
FIG	KEY	NAME	Service P/NO	L/R	Qty	M/T	A/T	Remark
750	002	COVER; TRIM,FRT SEAT,BACK	8-97465-218-0	L	1	●	●	
750	003	PAD; FRT SEAT BACK	8-98187-530-0	L	1	●	●	
750	004	FRAME ASM; FRT SEAT	8-98187-534-0	L	1	●	●	
750	009	COVER; SIDE	8-98273-209-0	L	1	●	●	(B)
750	009	COVER; SIDE	8-98273-213-0	L	1	●	●	(A)
750	011	WIRE; SEAT BACK	8-98220-094-0	L	1	●	●	
750	013	COVER; TRIM,FRT SEAT,CUSHION	8-97465-282-0	L	1	●	●	
750	014	PAD; FRT SEAT CUSHION	8-98187-562-0	L	1	●	●	
750	015	FRAME; CUSHION,FRT SEAT	8-98231-282-0	L	1	●	●	
750	017	BOLT; RECLINING	8-98220-045-0	L	4	●	●	
750	018	COVER; RECLINING	8-97424-098-0	L	1	●	●	(A)
750	018	COVER; RECLINING	8-97424-517-0	L	1	●	●	(B)
750	018	COVER; RECLINING	8-97424-608-0	L	1	●	●	(D)
750	018	COVER; RECLINING	8-97424-610-0	L	1	●	●	(C)
750	024	KNOB; RECLINING,FRT,SEAT	8-97424-611-0	L	1	●	●	(A)
750	024	KNOB; RECLINING,FRT,SEAT	8-97424-612-0	L	1	●	●	(B)
750	027	REST; HD,FRT SEAT	8-97465-142-0	L	1	●	●	
750	028	HOLDER; GUIDE,HD REST	8-97424-499-0	L	1	●	●	
750	028	HOLDER; GUIDE,HD REST	8-97424-500-0	L	1	●	●	
750	078	RING; SNAP	8-98220-068-0	L	6	●	●	
750	078	RING; SNAP	8-98220-068-0	L	11	●	●	
750	123	SCREW; COVER,RECLINING	8-98220-085-0	L	2	●	●	(A)
750	123	SCREW; COVER,RECLINING	8-98220-086-0	L	5	●	●	(B)
750	260	CLIP; HARNESS	8-98224-267-0	L	1	●	●	(A)
750	272	COVER; SEAT RECLINING	8-98273-215-0	L	1	●	●	
750	272	COVER; SEAT RECLINING	8-98273-216-0	L	1	●	●	
750	485	HARNESS; FRT SEAT	8-98231-308-0	L	1	●	●	
750	486	SWITCH; POWER SEAT	8-98224-263-0	L	1	●	●	
750	601	SCREW; SWITCH	8-98224-269-0	L	2	●	●	
750	654	HOOK; STOPPER	8-97424-637-0	L	1	●	●	
750	655	BOLT; HOOK	8-98224-171-0	L	1	●	●	
750	002	COVER; TRIM,FRT SEAT,BACK	8-97465-213-0	R	1	●	●	
750	003	PAD; FRT SEAT BACK	8-98187-527-0	R	1	●	●	
750	004	FRAME ASM; FRT SEAT	8-98187-533-0	R	1	●	●	
750	011	WIRE; SEAT BACK	8-98220-094-0	R	1	●	●	
750	013	COVER; TRIM,FRT SEAT,CUSHION	8-97465-281-0	R	1	●	●	
750	014	PAD; FRT SEAT CUSHION	8-98187-563-0	R	1	●	●	
750	015	FRAME; CUSHION,FRT SEAT	8-98187-567-2	R	1	●	●	
750	017	BOLT; RECLINING	8-98220-045-0	R	4	●	●	
750	018	COVER; RECLINING	8-97424-090-0	R	1	●	●	(A)
750	018	COVER; RECLINING	8-97424-579-0	R	1	●	●	(B)
750	018	COVER; RECLINING	8-97424-582-0	R	1	●	●	(D)
750	018	COVER; RECLINING	8-97424-585-0	R	1	●	●	(C)
750	024	KNOB; RECLINING,FRT,SEAT	8-97424-591-0	R	1	●	●	(D)
750	027	REST; HD,FRT SEAT	8-97465-142-0	R	1	●	●	
750	028	HOLDER; GUIDE,HD REST	8-97424-499-0	R	1	●	●	
750	028	HOLDER; GUIDE,HD REST	8-97424-500-0	R	1	●	●	
750	063	ADJUSTER; SEAT SLIDE	8-98224-186-1	R	1	●	●	
750	078	RING; SNAP	8-98220-068-0	R	6	●	●	
750	078	RING; SNAP	8-98220-068-0	R	11	●	●	
750	123	SCREW; COVER,RECLINING	8-98220-085-0	R	2	●	●	(A)
750	123	SCREW; COVER,RECLINING	8-98220-086-0	R	3	●	●	(B)
750	239	HANDLE; SIDE SUPPORT,FRT SEAT	8-98220-104-0	R	1	●	●	
750	306	NUT; SEAT ADJ	8-98220-087-0	R	7	●	●	

RT70 Laos X-Series Part List (4WD CREW)

FIG	KEY	NAME	Service P/NO	L/R	Qty	M/T	A/T	Remark
755	003	COVER; TRIM,RR SEAT BACK	8-97465-104-0		1	●	●	
755	004	PAD; RR,SEAT BACK	8-98200-491-0		1	●	●	
755	005	FRAME ASM; RR SEAT BACK	8-97427-756-0		1	●	●	
755	009	COVER ASM; TRIM,RR,CUSHION	8-97465-116-0		1	●	●	
755	009	COVER ASM; TRIM,RR,CUSHION	8-97465-126-0		1	●	●	
755	010	PAD; CUSHION,RR SEAT	8-98200-495-0		1	●	●	
755	010	PAD; CUSHION,RR SEAT	8-98200-499-0		1	●	●	
755	011	FRAME ASM; CUSHION,RR SEAT	8-97427-776-0		1	●	●	
755	011	FRAME ASM; CUSHION,RR SEAT	8-97427-779-0		1	●	●	
755	017	REST; HD,RR SEAT	8-97465-070-0		2	●	●	(A)
755	017	REST; HD,RR SEAT	8-97465-074-0		1	●	●	(B)
755	029	RUBBER; RR SEAT	8-98224-609-0		2	●	●	(A)
755	029	RUBBER; RR SEAT	8-98224-621-0		4	●	●	(B)
755	100	REST; ARM,RR SEAT	8-97465-106-0		1	●	●	
755	206	BRACKET ASM; LEG,RR SEAT	8-98224-625-0		1	●	●	(A)
755	206	BRACKET ASM; LEG,RR SEAT	8-98224-695-0		1	●	●	(A)
755	206	BRACKET ASM; LEG,RR SEAT	8-98224-697-0		1	●	●	(B)
755	227	HOLDER; GUIDE,RR HD REST	8-97424-499-0		3	●	●	
755	227	HOLDER; GUIDE,RR HD REST	8-97424-500-0		3	●	●	
755	251	BUSHING; HINGE PIN	8-98224-622-0		1	●	●	(A)
755	251	BUSHING; HINGE PIN	8-98224-623-0		1	●	●	(B)
755	251	BUSHING; HINGE PIN	8-98224-624-0		2	●	●	(C)
755	276	NUT; ARM REST	8-98224-604-0		4	●	●	
755	281	SCREW	8-98224-611-0		2	●	●	(A)
755	281	SCREW	8-98233-169-0		4	●	●	(B)
755	286	COVER; HINGE	8-97424-699-0		1	●	●	(B)
755	286	COVER; HINGE	8-97424-700-0		1	●	●	(A)
755	286	COVER; HINGE	8-97424-700-0		1	●	●	(A)
755	286	COVER; HINGE	8-97424-700-0		1	●	●	(A)
755	299	BOLT; LEG	8-98224-698-0		2	●	●	
755	302	NUT; RR SEAT	8-98225-096-0		2	●	●	
755	317	RING; BACK,RR SEAT	8-98220-068-0		20	●	●	
755	317	RING; BACK,RR SEAT	8-98220-068-0		1	●	●	
755	317	RING; BACK,RR SEAT	8-98220-068-0		12	●	●	
755	317	RING; BACK,RR SEAT	8-98220-068-0		11	●	●	
760	003	BELT; SEAT,BUCKLE SIDE	8-97416-839-0	R	1	●	●	
760	003	BELT; SEAT,BUCKLE SIDE	8-97426-632-0	L	1	●	●	
805	001	LAMP ASM; ROOM	8-97423-972-0		1	●	●	
805	002	BULB; ROOM LAMP	8-97128-771-0		1	●	●	
805	003	LENS; ROOM LAMP	8-97333-429-0		1	●	●	
827	023	AIR BAG UNIT	8-97423-893-2		1	●	●	
890	254	RADIO CONTROL ASM; STEREO,AM-FM	8-98052-935-3		1	●	●	

6-03 RADIATOR GRILLE

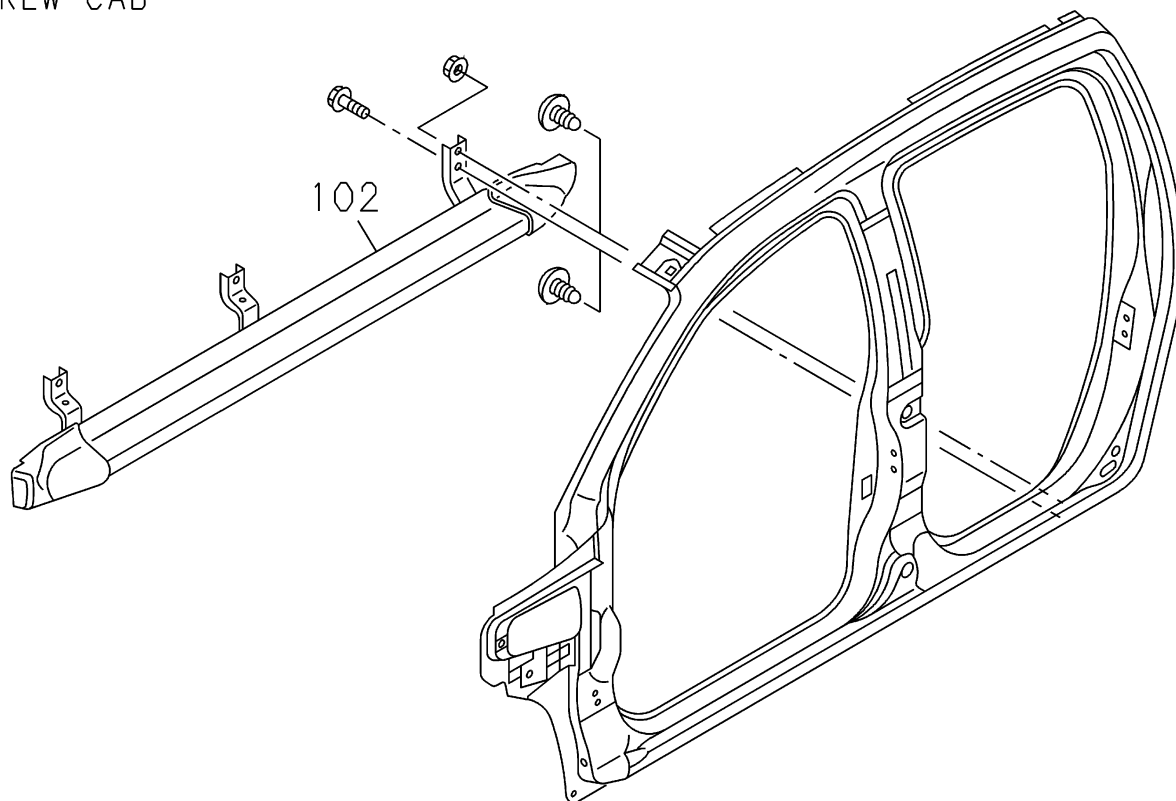
FIG-NO. GRILLE



6-20 SIDE PANEL AND STEP

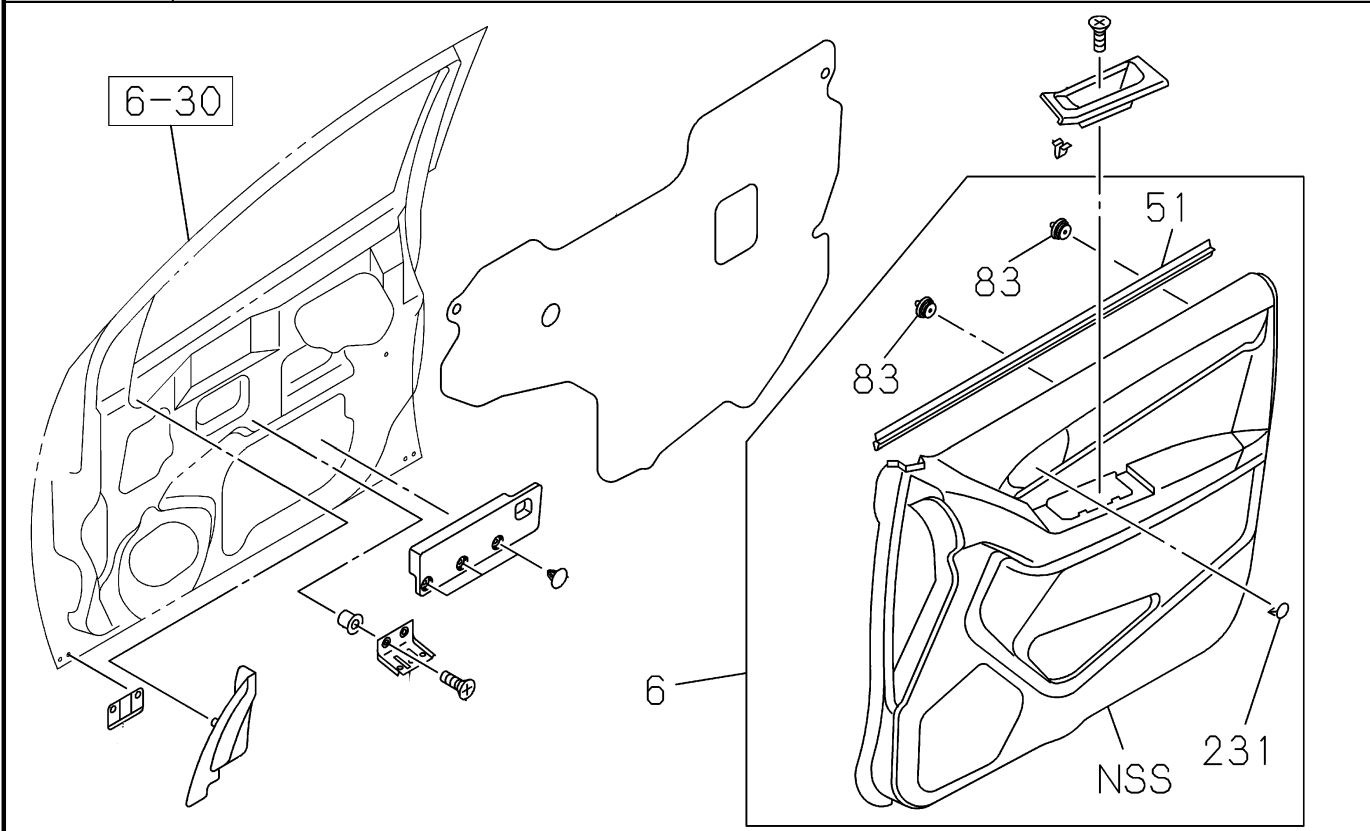
FIG-NO.

CREW CAB



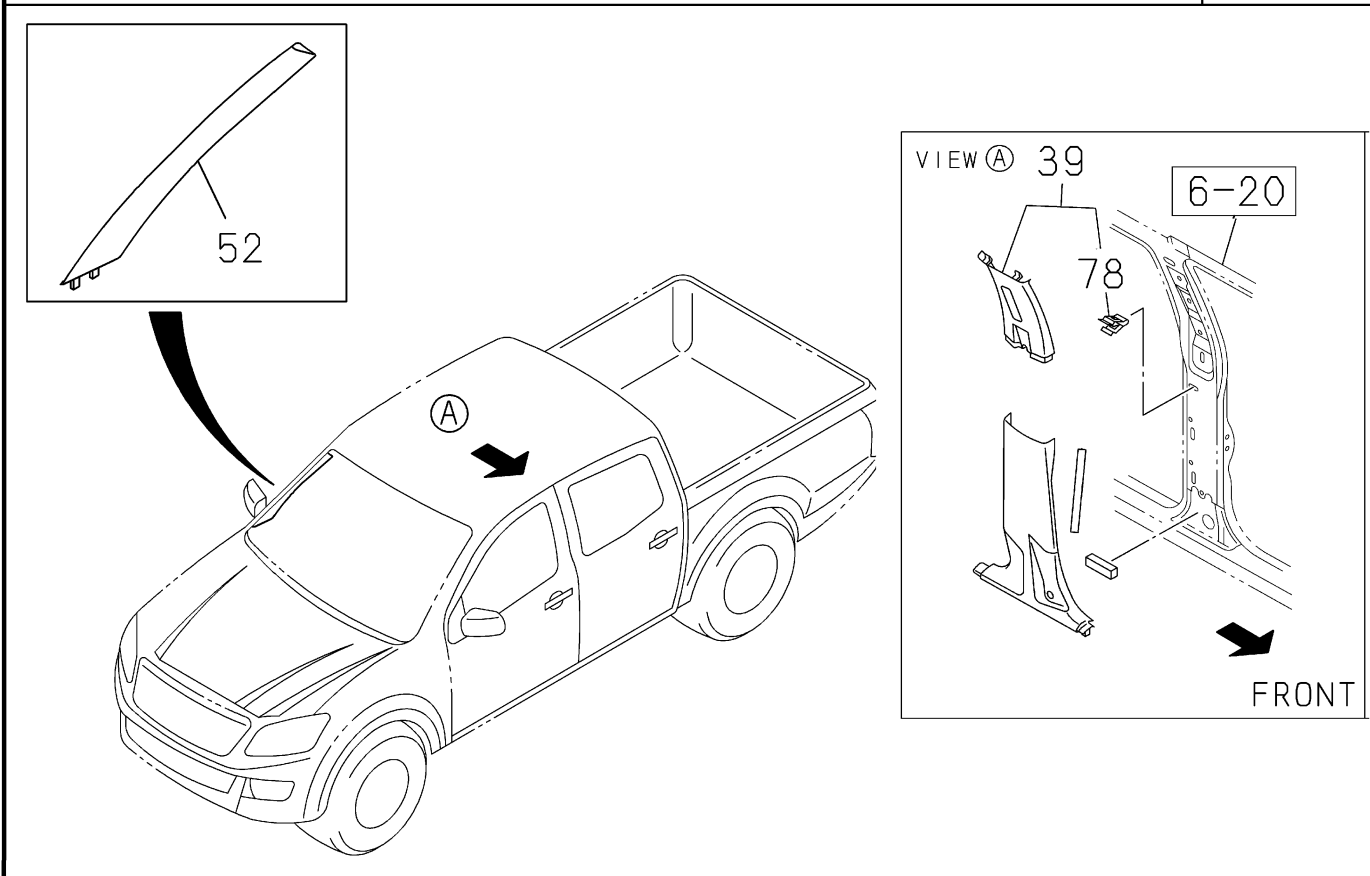
6-35 FRONT DOOR TRIM

FIG-NO. TRIM



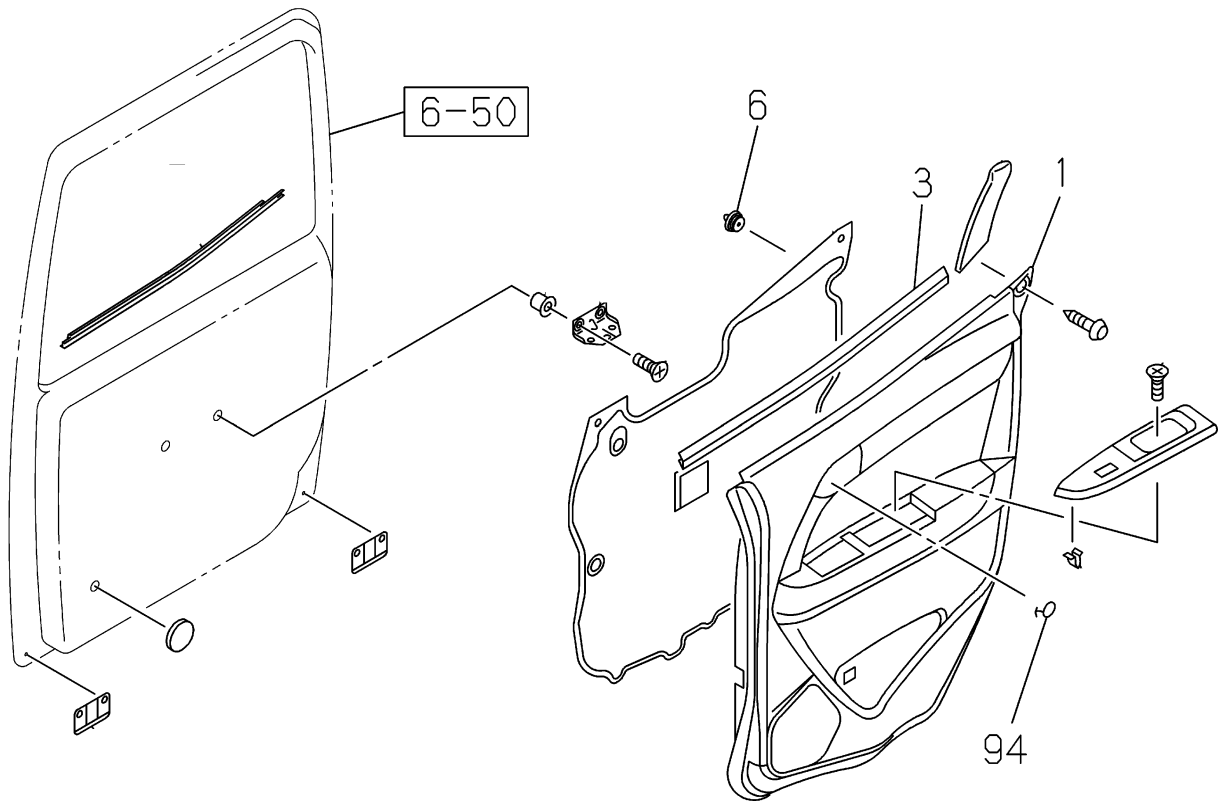
6-43 SIDE TRIM

FIG-NO. CREW CAB



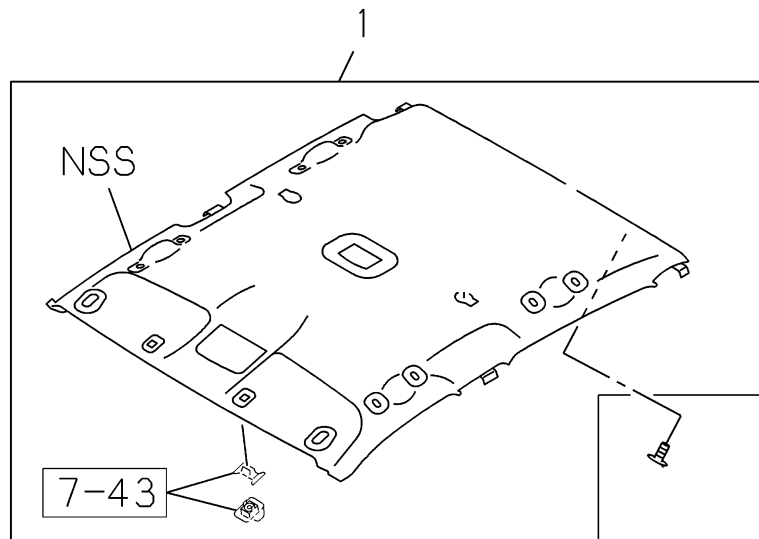
6-55 REAR DOOR TRIM

FIG-NO. TRIM; CREW CAB



6-66 HEAD LINING AND TRIM

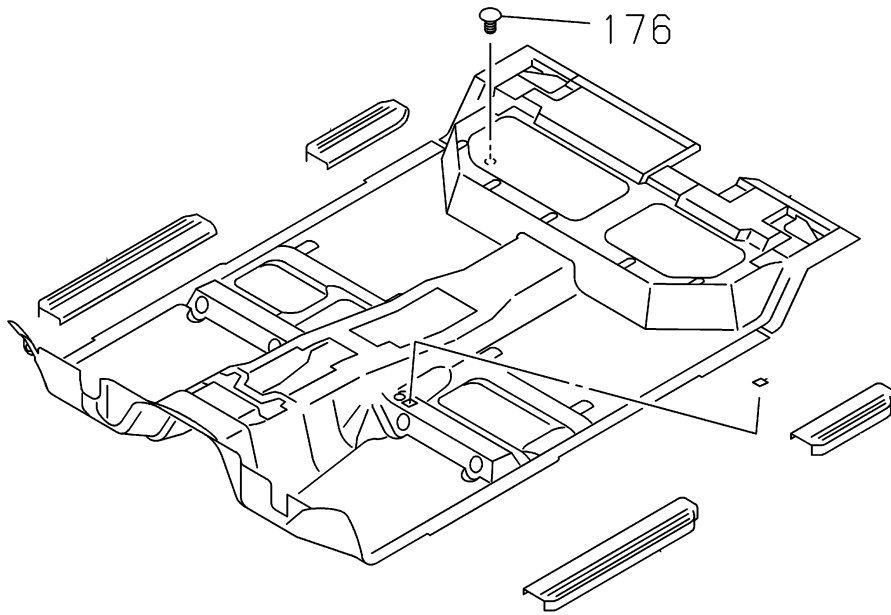
FIG-NO. HD LINING



6-75

MAT AND CARPET

FIG-NO.

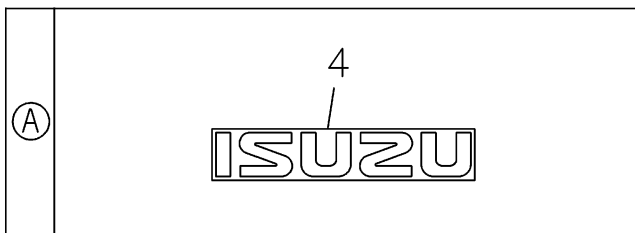
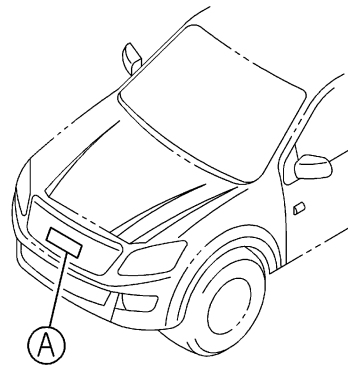


7-01

EMBLEM AND NAME PLATE

FIG-NO.

NO. 1

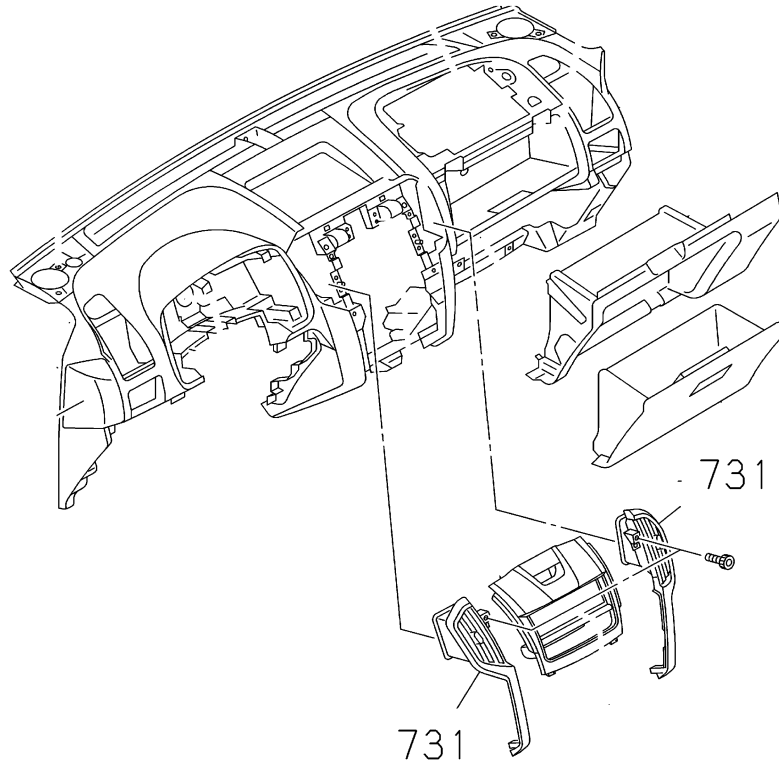


7-40

INSTRUMENT PANEL AND BOX

FIG-NO.

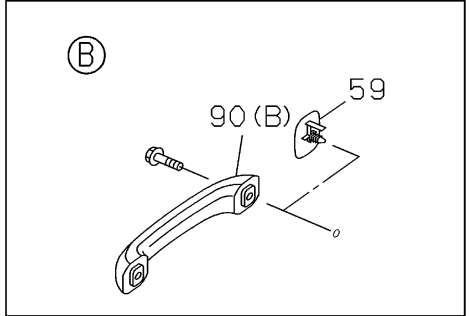
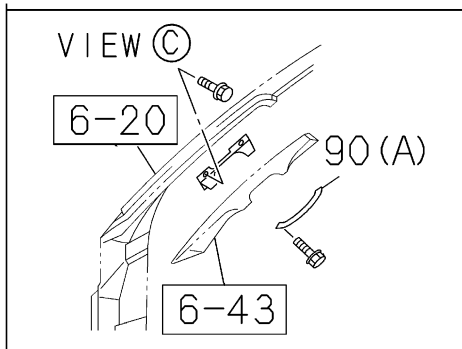
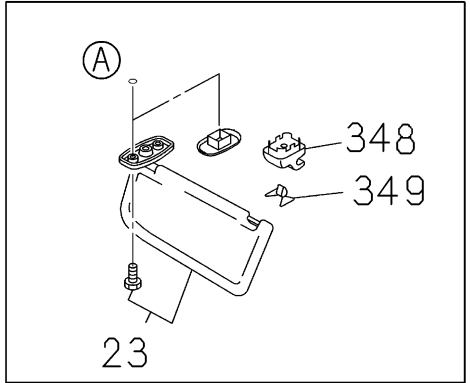
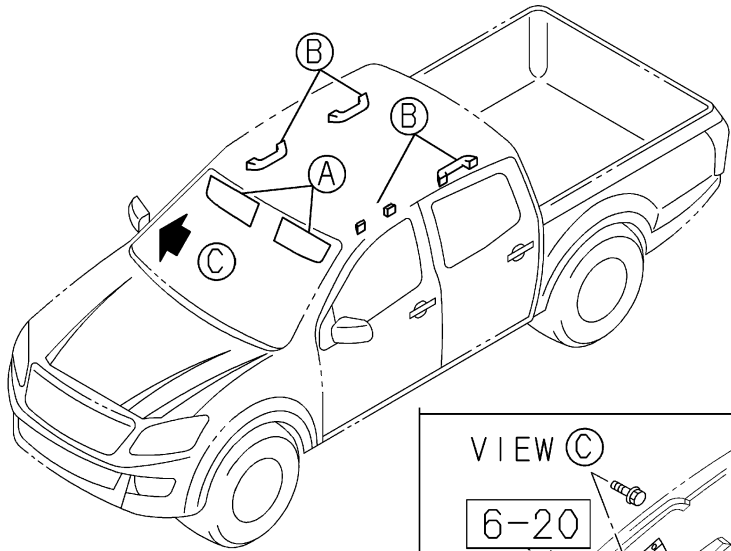
NO. 1



7-43

SUN VISOR AND ASSIST GRIP

FIG-NO.

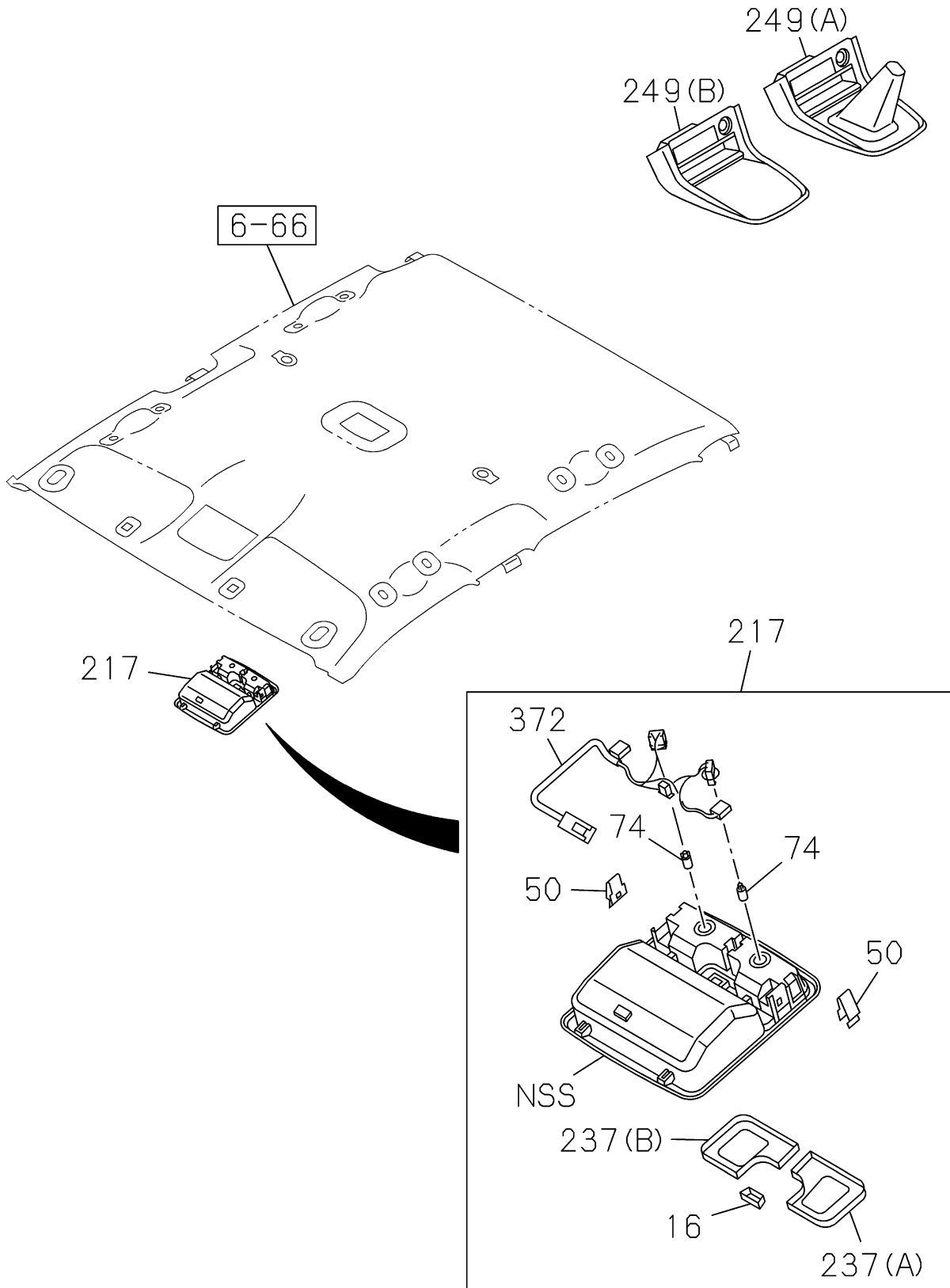


7-45

CONSOLE BOX

FIG-NO.

NO. 1

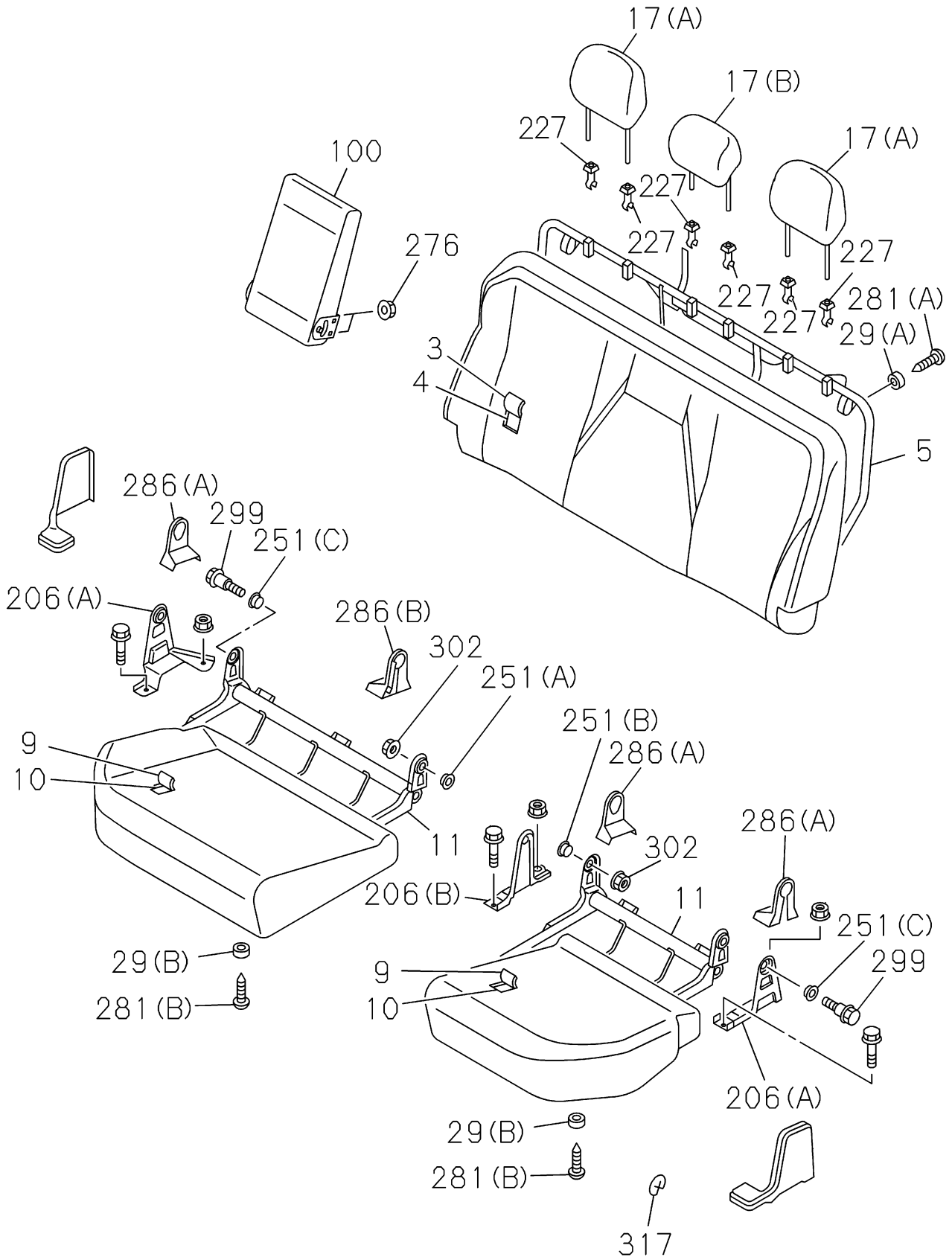


7-55

REAR SEAT

FIG-NO.

CREW CAB

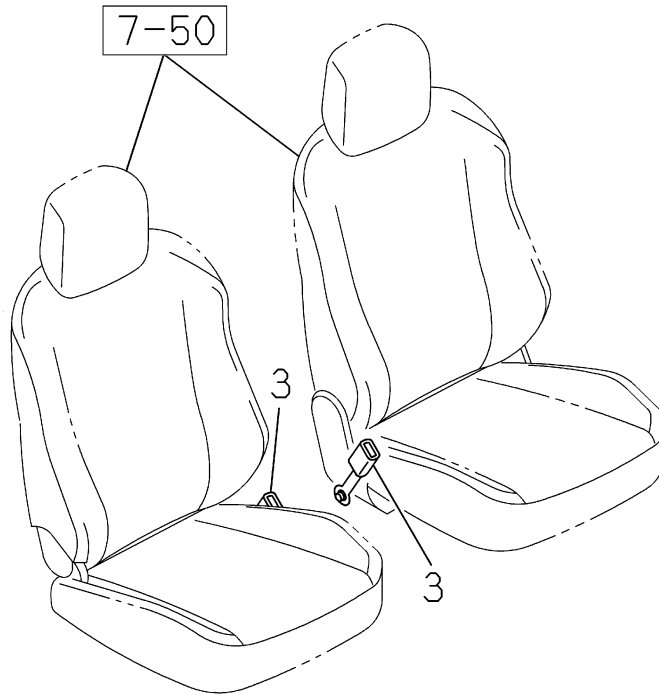


7-60

SEAT BELT

FIG-NO.

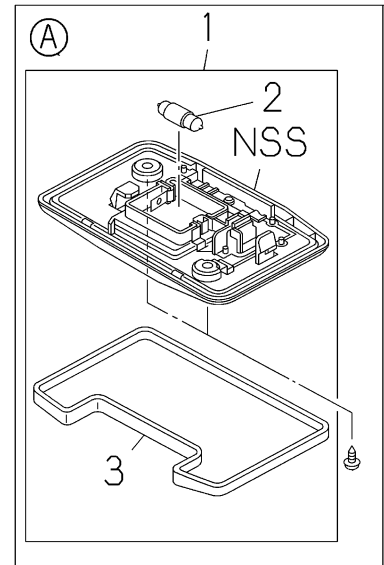
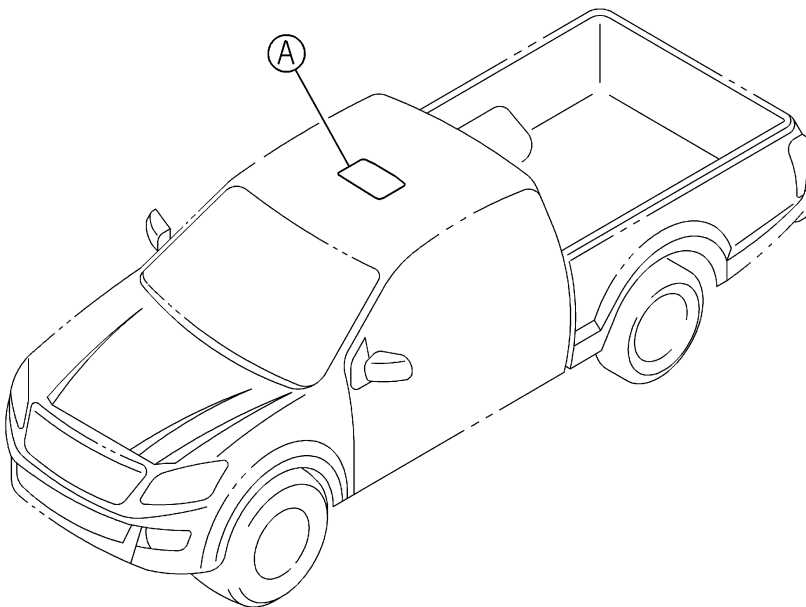
FRONT



8-05

INTERIOR LAMP

FIG-NO.

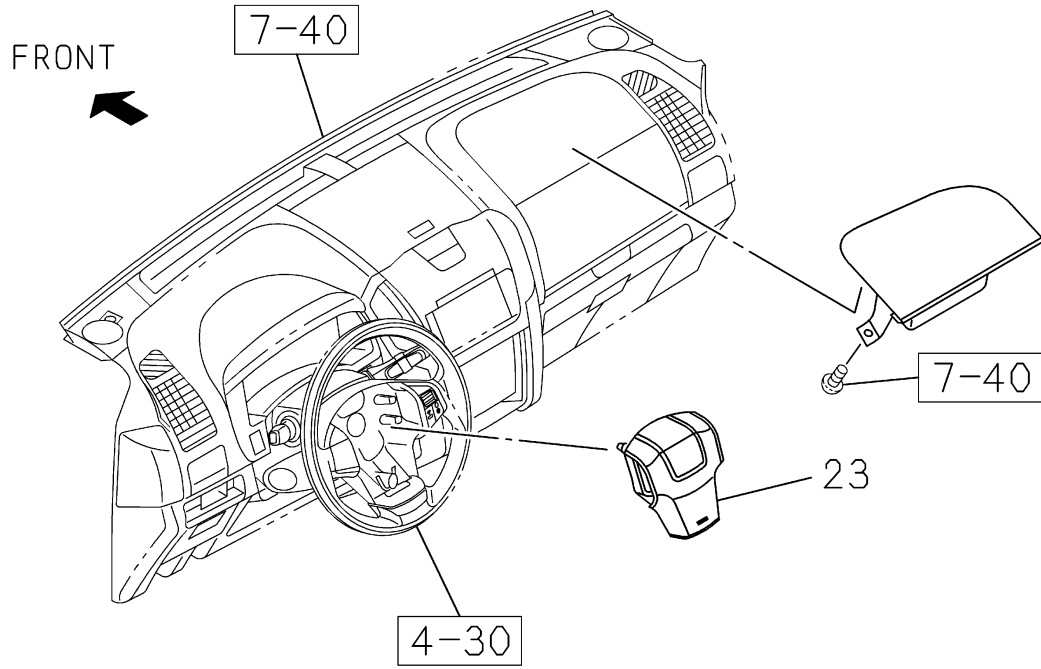


8-27

SUPPLEMENTAL INFLATABLE RESTRAINT SYSTEM

FIG-NO.

AIR BAG ; FRONT



8-90

RADIO AND TV

FIG-NO.

RADIO

